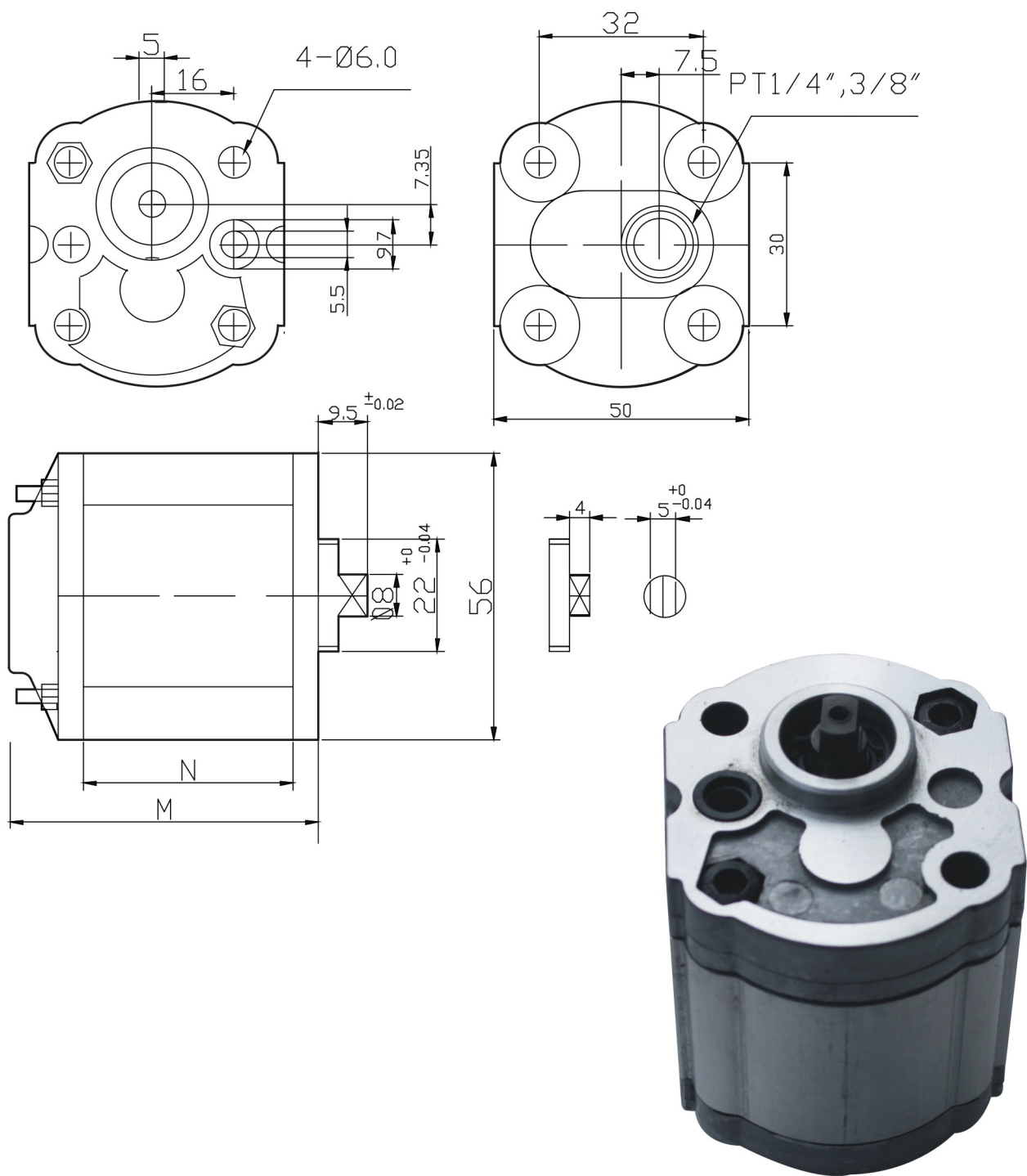


### Mounting And Connecting Size



### PERFORMANCE DATA

Type	Displacement (cm/rev)	Litri/min at 1500 r.p.m	Max operating pressure at 3000r/m.bar	Max peak pre. At 3000r/m.bar	Max speed r.p.m	M	N
SAP0.5DO.20	0.20	0.3	170	210	4500	61.3	30.5
SAP0.5DO.50	0.49	0.73	170	210	4500	63.8	32.0
SAP0.5DO.70	0.70	1.05	170	210	4500	64.0	34.0
SAP0.5DO.10	0.90	1.35	170	210	4500	66.0	36.0