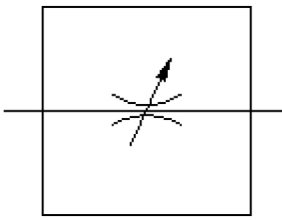


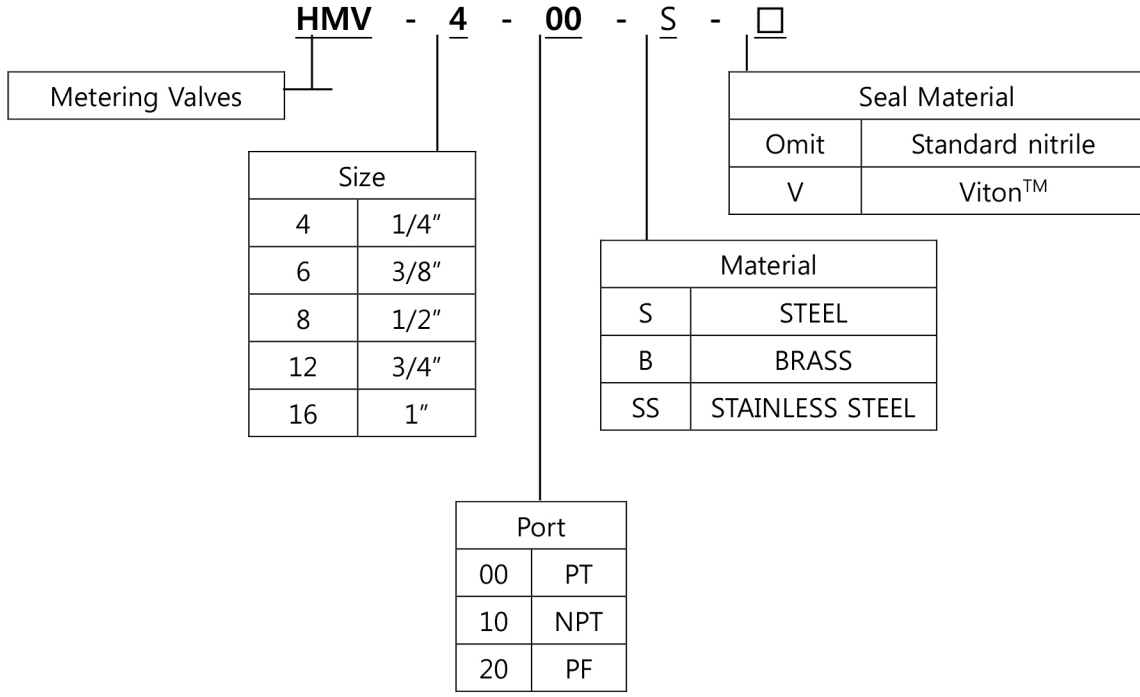
# Metering Valves



SYMBOL



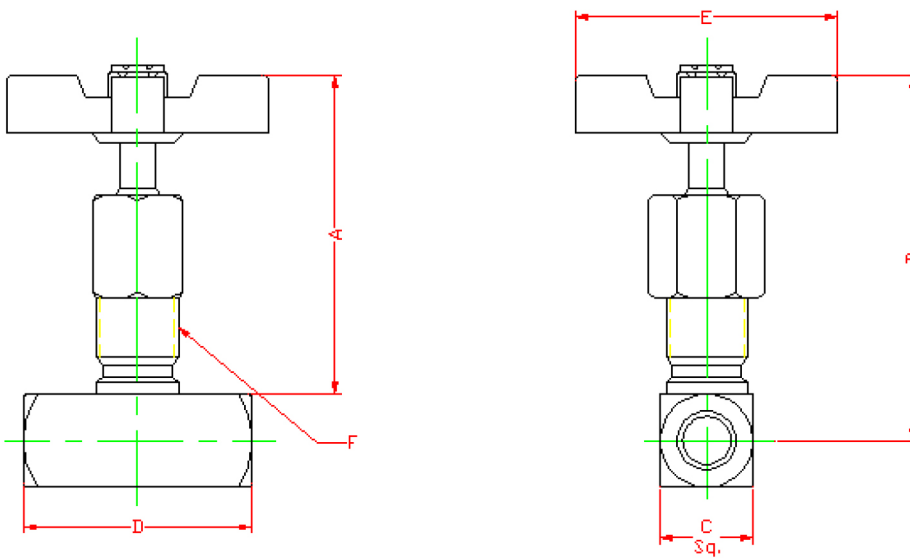
## HOW TO ORDER :



## SPECIFICATION :

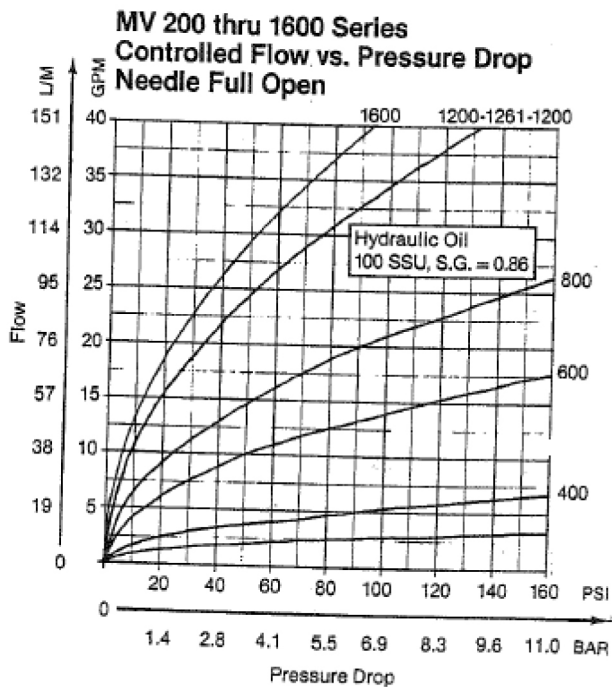
- **최고 사용압력 MAX.OPERATIONG PRESSURE**
  - HMV 400 ~ 800 : 350 Bar
  - HMV 1200 ~ 1600 : 210 Bar
- **사용가능 온도 TEMPERATURE ADJ.RANGE**
  - 40 °C ~ 121°C

## INSTALLATION DIMENSIIONS

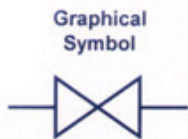
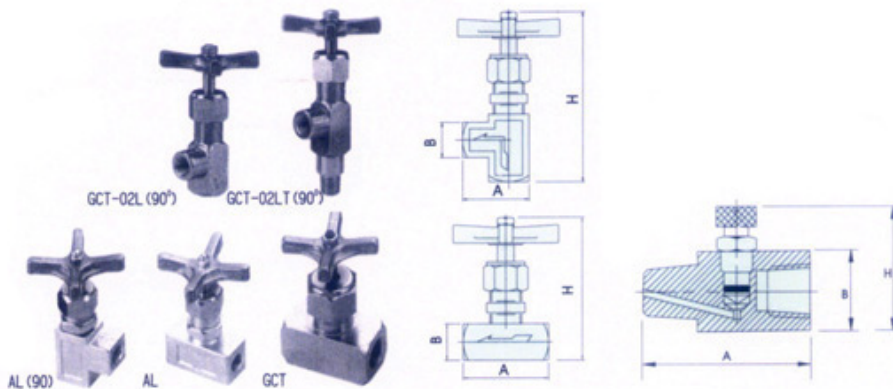


MODEL	FREE FLOW (L/m)	DIMENSION (mm)					
		A	B	C	D	E	F
HMV 400S	20	56	66	20	50	50	M18-1.5
HMV 600S	30	95	107	25	64	64	M22-1.5
HMV 800S	60	113	129	32	66	82	M28-1.5
HMV 1200S	95	123	142	38	82	98	M33-1.5
HMV 1600S	150		147	45	108	98	M35-2.0

## PERFORMANCE CURVE



**NEEDLE VALVES  
GCT . AL . SB SERIES**

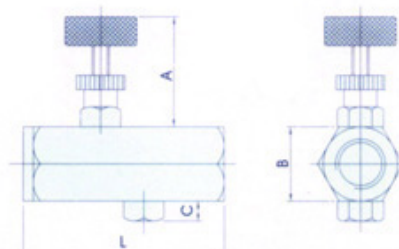
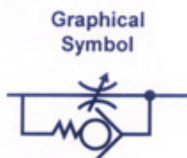


MODEL	Size PT	A mm	B mm	H mm	Flow l/min	Max Pressure Kgf/cm <sup>2</sup>	Weight kg
GCT-02	1/4"	52.5	22	91	3	210	0.33
GCT-03	3/8"	61	25	100	21		0.43
GCT-04	1/2"	69	32	117	30		0.65
GCT-06	3/4"	90	38	147	100		1.46
GCT-08	1"	103	51	167	300		2.50
GCT-02L (90°)	1/4"	34	19	99	3		0.25
GCT-02LT (90°)	1/4"	34	19	125			0.30
GCT-03L (90°)	3/8"	41	25	108	21		0.45
GCT-03LT (90°)	3/8"	41	25	135			0.50
AL-02	1/4"	50	25	99	3		100
AL-02 (90°)		41	22	108		0.29	
AL-03	3/8"	50	25	99	21	0.27	
AL-03 (90°)		41	22	108		0.29	
SB-02	1/4"	43	21	35	0.5	0.10	

**IN-LINE THROTTLE VALVES PT-02.03.04.06.10**

**IN-LINE THROTTLE AND CHECK VALVES PTC-02.03.04.06.10**

**PT / PTC SERIES**



Model	Size	A mm	B mm	C mm	L mm	Flow l/min	Material	Max Pressure kg/cm <sup>2</sup>	Weight kg
PT-02	1/4"	40	23	7	62	12	Steel	250	0.24
PT-03	3/8"	38	26		70	20			0.30
PT-04	1/2"	43	32		10	81			30
PT-06	3/4"	47	41	12	92	48	Steel		0.92
PTC-02	1/4"	40	23	7	62	12	Steel	250	0.24
PTC-03	3/8"	38	26		70	20			0.30
PTC-04	1/2"	43	32		10	81			30
PTC-06	3/4"	47	41	12	92	48	Steel		0.92